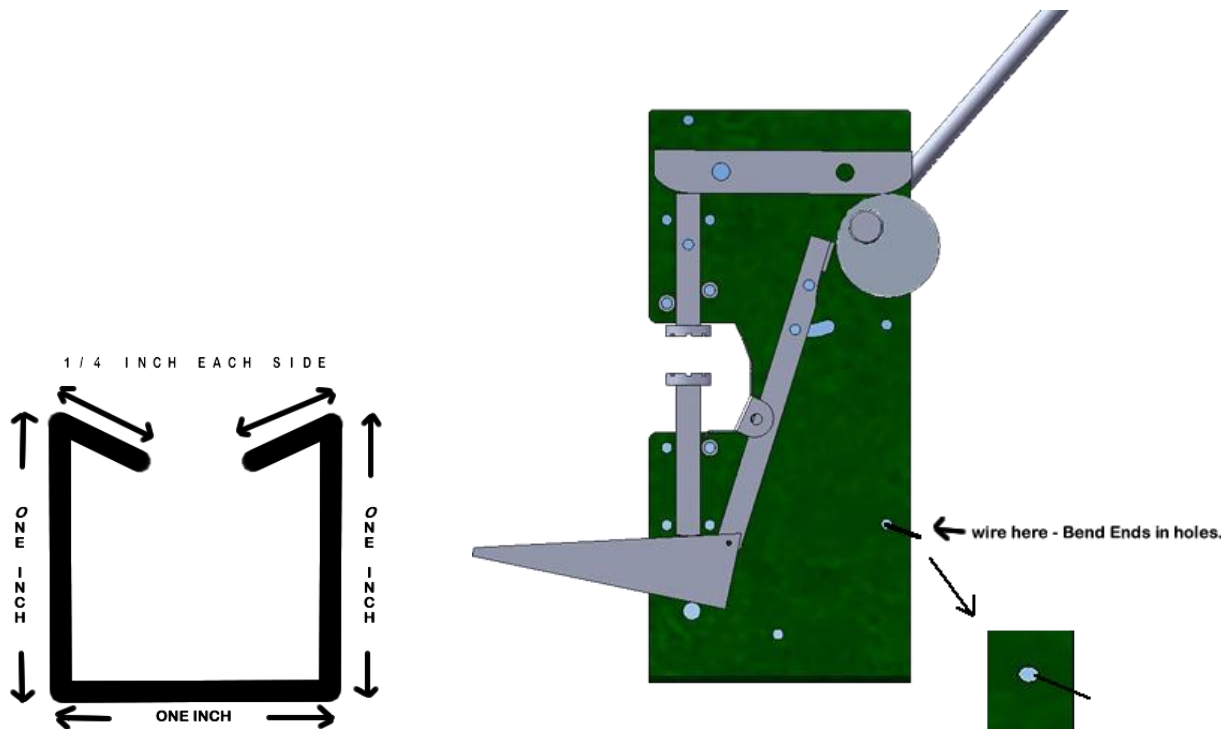


Dear customer,

I am very sorry you have had this problem, but it is a simple fix. We have discovered that just a very few of the Goody Getters have a part in them that was not machined to our specification (only about 1 in 50 or so).

It is so simple as the slide bar is allowed to travel too far back and the point falls in behind the 3/8" bolt that it is intended to slide on top of. All we need to do is keep the slide bar from going too far. We will send you a wire clip to put in place where the cotter key was removed from as per pictures on this page. Of course you can make one yourself if you want to from a clothes hanger.

Here is what you can make.



Sincerely,

Grandpa's Goody Getter